

<http://www.icybox.de>

ICY BOX

IB-mp302 series

External Media Player for 3.5" HDDs – User's manual
Externer Media Player für 3,5" Festplatten – Handbuch



ICY BOX

ICY BOX

External Media Player for 3.5" HDDs

IB-mp302 series

Safety warning

Note: Before operating the unit, please read this manual thoroughly.

1. Do not expose this device to an environment of extremely high-temperature or extremely low-temperature, dust and humidity.
2. Do not expose this product to heavy light or close to high temperature devices.
3. Please do not use it in restricted areas.
4. In order to avoid the damage please avoid any impacts or hits on the product and its components.
5. Avoid contact to benzene or solvent chemicals or detergents.
6. Please try to avoid using the product under the extreme dry condition to prevent static electricity.
7. Please don't interrupt the power supply or data link during uploading or downloading. These interruptions might cause malfunctions or data damage and loss.
8. Heavy impacts on this device will cause permanent damage to the hard drive.
9. The manufacture shall not be held responsible caused by inadequate usage or third party influence.
10. Please backup all data stored to the media player. The manufacturer shall not be liable to loss of information.
11. To ensure your safety, please note:
Do not use this machine while driving or while being in situations which need your full attention. Please keep the sound volume produced by the Player on a level suitable for the legal situation and avoid levels, which can cause health damage. If you feel tinnitus and giddiness in using this machine, please reduce the volume or turn off this machine immediately.
12. Manufacturer excludes any play-back warranty for user compiled data formats and data mediums.

Package contents

Media Player, power adapter and cord, Video/Audio cable, USB cable, screwdriver, software CD, manual

Key features

- Plays Videos, Music and displays picture files
- Video media: VCD, DVD (.vob), MPEG1/2/4, DIVX3.X-5.X
- Audio media: MP3
- Image media: JPEG, BMP, GIF
- File Formats: AVI, ASF, VOB, DAT, MPG
- Supports IDE/SATA* HDD storage capacity up to 500GB
- File System: FAT32, NTFS
- Supports Music/Photo Slide Show
- Supports multi language
- Audio out: Stereo 2 Ch (RCA)
- Video out: Interlace RGB, S-Video, A/V, VGA
- USB 2.0 up to 480Mbps
- Supports Windows ME/XP/98, OS-9/X, Linux
- Remote control and panel button control
- Fan cooler inside and blue LCD display
- One button backup (Windows only)

ICY BOX

External Media Player for 3.5" HDDs

IB-mp302 series

Panel map

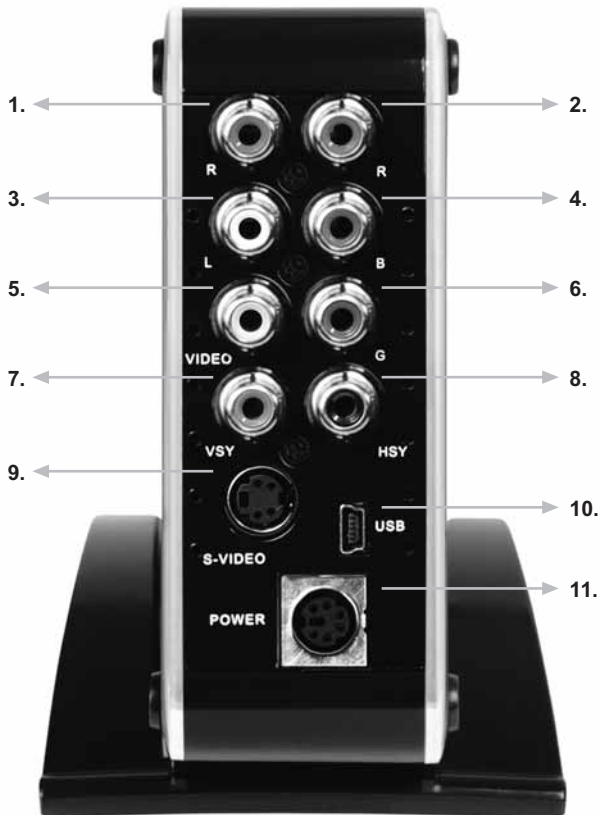


ICY BOX

IB-mp302 series

External Media Player for 3.5" HDDs

Rear Side



| | | | | | |
|----|----------------------------|----|-----------------------------|-----|-------------------------|
| 1. | R Right channel | 5. | VIDEO Video port | 9. | S-VIDEO S-Video |
| 2. | R YPbPr-red Signal | 6. | G YPbPr-green signal | 10. | USB USB 2.0 port |
| 3. | L Left channel | 7. | VSY Vertical sync | 11. | POWER Power jack |
| 4. | B YPbPr-blue signal | 8. | HSY Horizontal sync | | |

ICY BOX

IB-mp301 series

External Media Player for 3.5" HDDs

Remote Control Map



Remote control supports several hot-keys and all functions explained as below.

- **POWER:** power on/off
- **SETUP:** enter/exit system setup menu main page
- **MUTE:** mute the audio. Disable mute by pressing again
- **VOL +:** volume up
- **VOL -:** volume down
- **PLAY:** start a playback
- **PAUSE:** pause a playback, pressing again to play
- **STOP:** stop a playback
- **ENTER:** confirm selection
- **V-Mode:** TV system selection
- **F.F:** play forward. Press over again for faster forward play
- **F.R:** play backward. Press over gain for faster backward play
- **NEXT:** go to next movie, music, photo, file or page down
- **PREV:** go to previous movie, music, photo, file or page up
- **↑:** page up on Photo/Movie Digest or Music
- **↓:** page down on Photo/Movie Digest or Music
- **↔:** photo/movie Digest or Music function change
- **SUB-T:** For Super VCD with various of languages subtitle, press this key to choose the language subtitle which needed when playing
- **REPEAT:** set preferred repeat mode for playback of movie, music or photo in real time
- **ZOOM:** enlarge (zoom in) a photo to 2x/3x/4x and use direction keys for panning left/right/up/down capability
- **Home:** back to the function select menu at anytime.
- **PHOTO, MUSIC, MOVIE, FILE:** Folder selection



ICY BOX

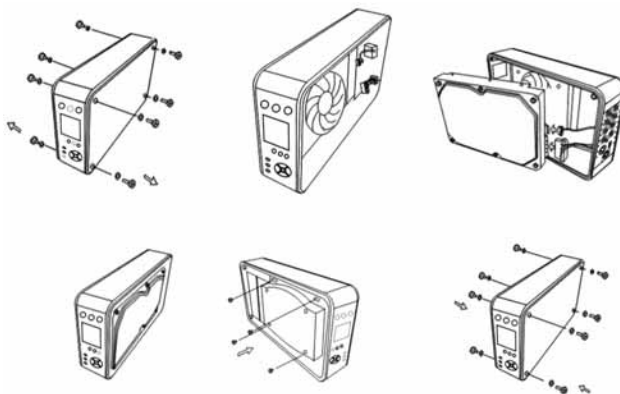
External Media Player for 3.5" HDDs

IB-mp302 series

HDD Installation

Caution:

Media Player with IDE-interface Before installation it's necessary to set the IDE-HDD to MASTER by jumper (see description from HDD manufacturer).



Connect the player to computer

Connect power adapter to the power jack

1. Windows98/SE

- 1) Confirm, that the computer has USB port
- 2) Confirm that the USB controller of computer is working fine
- 3) For Windows98/SE insert the software CD in the CD-ROM of your computer.
- 4) Connect device to the USB port, switch the power button on and the system will install according driver automatically.
- 5) The icon "portable device" will appear in "my computer"
- 6) Files can now be stored and read from the Player like on an ordinary HDD.
- 7) If the USB hard drive does not appear, please re-start the computer

2. WINDOWS ME/2000/XP, MAC OS

- 1) Confirm that the computer has USB port
- 2) Confirm that the USB controller of computer is working fine
- 3) Connect device to the USB interface of the computer, switch the power button on and it will be recognized automatically and all necessary drivers will be installed automatically too.
- 4) Files can now be stored and read from the Player like on an ordinary HDD.

ICY BOX

IB-mp302 series

External Media Player for 3.5" HDDs

3. Unformatted HDD, ref. HDD formatted with a file system which the Player can't read.

The HDD has to be initialized, partitioned and formatted with FAT32 or NTFS according to the standard procedures of the operating system used on the computer. The player only recognizes the first primary partition on the HDD.

- ▼ **Remark:** For connecting/disconnecting Media Player to/from computer by USB, the device must be switched off. If the device is being connected/disconnected switch the power button on.
- ▼ **Remark:** The Media Player OSD functions are not available during Media Player is connected by USB.

One Touch Backup (Windows only)

It is necessary to install the backup software from software CD for using the One Touch Backup function of the Media Player. After the program is being installed and opened, the backup files must be selected according to own desire (source directories and destination drive).

Now the One Touch Backup function is enabled by using BACKUP button from software or One Touch Backup key (BACKUP key at front panel) from Media Player (see panel map on page 4).

- ▼ **Remark:** This function is only available if Media Player is being connected to computer by USB.

Connect the player to TV:

When connecting to TV, please set the player to TV mode by pressing V-Mode key on the remote controller or P/N key at the front of Media Player. There are four methods to connect with TV/monitor as follows:

- 1) Connect the player's Video port to TV using the AV-TO-AV cable
Connect the player's Audio port to TV using the AV-TO-AV cable
- 2) Connect player to TV using the S-Video-TO-S-Video cable
Connect the player's Audio port to TV using the AV-TO-AV cable
- 3) Connect player's Y/Pb/Pr port to TV's Y/Pb/Pr port respectively and player's Audio port to TV Audio port using the AV- TO-AV cable.

Connect the player to monitor:

- 4) Connect the player to monitor using the YPbPr to VGA cable

ICY BOX

IB-mp302 series

External Media Player for 3.5" HDDs

Function setup

After switch on, wait for Media Player main menu, than press **SETUP** key on Remote Control and the television screen will display the system Setup Menu main page as below. Use Direction keys to move up and down the selections and press **ENTER** key to select setting. Make settings according to your own desire.

Photo Setup

PHOTO SETUP on System Setup Menu enables the following selections.

Use Direction buttons to move up and down the selections and press **ENTER** key to select setting.

- **THUMBNAIL DIGEST:**

- Selecting **ON:** will display photo Digests by using original Digest files created by user. This process will make displaying Digests of large photos in a short time on Photo Digest (factory default mode)
- Selecting **OFF:** will display photo Digests by decoding photo and scaling down to fit into the display area allocated for the Digest on Photo Digest. This process may take a longer time if photos are in high resolution (big files).

- **TRANSITION MODE:**

- Selecting **FAST** or **SLOW** transition time in between two photo displaying or slide show (factory default mode is FAST)

- **ORIENTATION:**

- Selecting **DEFAULT** or **IGNORE** (factory default mode is DEFAULT)

- **DIGEST STYLE:**

- Selecting photo digest or thumbnail numbers on one Photo Digest by 2x2, 3x3, 4x4 or 5x5 thumbnail (factory default mode is 3x3 thumbnail)

Music Setup

MUSIC SETUP on system Setup Menu enables the following selections:

- **REPEAT MODE:**

- Selecting **ONE:** will repeat the selected music continuously, until the **STOP** button is pressed
- Selecting **OFF:** will disable the repeat feature
- Selecting **ALL:** will repeat all the music in the Music Library continuously, until the **STOP** button is pressed (factory default setting)

ICY BOX

IB-mp302 series

External Media Player for 3.5" HDDs

Movie Setup

MOVIE SETUP on system Setup Menu enables the following selections:

- **REPEAT MODE:**
 - Selecting **ONE**: will repeat the selected movie continuously, until the **STOP** button is pressed
 - Selecting **OFF**: will disable the repeat feature
 - Selecting **ALL**: will repeat all the movie in the Movie Digest continuously, until the **STOP** button is pressed (factory default setting)
- **DIGEST STYLE:**
 - Selecting movie thumbnail numbers on one Movie Digest by 2x2, 3x3, 4x4 or 5x5 thumbnail (factory default mode is 3x3 thumbnail)

Slide Show Setup

SLIDE SHOW SETUP on system Setup Menu enables the following selections.

- **SLIDE SHOW MODE:**
 - Selecting **MANUAL**: When set slide show mode to **MANUAL**, photo slide show will be played manually after pressing **PLAY** button, not automatically. It will give full control of the photo slide show timing to user by pressing **NEXT** or **PREV** button.
 - Selecting **AUTO**: When set slide show mode to **AUTO**, it will make photo slide show start automatically after pressing **PLAY** button (factory default setting).
- **FOLDER REPEAT:**
 - Selecting **ON**: will turn on the repeat mode immediately until **STOP** button is pressed (factory default setting)
 - Selecting **OFF**: will turn off the repeat mode
- **INTERVAL TIME:**
 - Selecting **ONE SECOND**: will display the photo for 1 second before switching to next photo during slide show
 - Selecting **THREE, FIVE, TEN SECONDS**: will display the photo for 3, 5, 10 seconds before switching to next photo, during photo slide show (factory default setting is THREE SECONDS)
- **TRANSITION:**
 - Different modes will display all photos using the following transition chosen
 - 1: FULL SCREEN:** Full Screen (at once) (factory default setting)
 - 2: TOP → BOTTOM:** Top-to-Bottom (roll)
 - 3: BOTTOM → TOP:** Bottom-to-Top (roll)
 - 4: T/B → CENTER:** Top/Bottom-to-Center (roll)
 - 5: CENTER → T/B:** Center-to-Top/Bottom (roll)
 - 6: BLIND: T → B:** Top-to-Bottom (blind)
 - 7: LEFT → RIGHT:** Left-to-Right (roll)
 - 8: RIGHT → LEFT:** Right-to-Left (roll)
 - 9: L/R → CENTER:** Left/Right-to-Center (roll)
 - 10: CENTER → L/R:** Center-to-Left/Right (roll)
 - 11: IMplode:** Corners-to-Center (implode)
 - 12: BLIND: L → R:** Left-to-Right (blind)
 - 13: CROSS FADE:** Cross Fade
 - 14: RANDOM:** Random from above 13 transition modes

ICY BOX

External Media Player for 3.5" HDDs

IB-mp302 series

Configuration

CONFIGURATION on system Setup Menu enables the following selections

- **TV TYPE:**
 - Selecting **MULTI. SYSTEM:** will allow automatically detection of the type of TV monitor (NTSC or PAL) and display the corresponding video accordingly (factory default setting)
 - Selecting **NTSC:** will fix the video output to NTSC mode
 - Selecting **PAL:** will fix the video output to PAL mode
- **VIDEO OUTPUT:**
 - Selecting **COMPOSITE:** will output the video signal to Composite (RCA) connector (factory default setting)
 - Selecting **S-VIDEO:** will output the video signal to S-video connector
 - Selecting **VGA:** will output the video signal to VGA connector
- **OSD LANGUAGE:**
 - Selecting **ENGLISH:** will display OSD in English language (factory default setting)
 - Selecting **CHINESE:** will display OSD in Chinese language
- **OSD MESSAGE:**
 - Selecting: **ON**
 - Selecting: **OFF**
- **SETUP VALUES:**

Caution: By selecting **DEFAULT** all settings previous made will be set back to factory default values.
- **AUTO START:**
 - ⚠ - Selecting **ON:** Music playback starts automatically after power on.
Remark: It could takes some time, depends on data volume.
 - Selecting **OFF:** Music playback deactivated

Now you can enjoy movie, music playback and photo slide show from the Media Player.

ICY BOX

IB-mp302 series

External Media Player for 3.5" HDDs

Photo Slide Show

Press **PHOTO** key on Remote Control, all photo files are shown in the Photo Digest.

- Press Direction keys to move through the Digest pages. Use **PREV** or **NEXT** key to jump to the previous or next page of Digests.
- Press **PLAY/PAUSE** key to start photo slide show. When photo slide show is being displayed, press **PLAY/ PAUSE** key again to pause or resume playing; press **STOP** key can return back to Photo Digest.
- Press **S-TIME** key one or several times to set suitable interval time in real time. It will change photo interval time immediately when photo slide show is being displayed.
- Press **ROTATE** key to change the rotation of displayed photo 90 degree clockwise.
- Press **REPEAT** key to enable/disable (ON/OFF) folder repeat.

Music Slide Show

- To initial Music Slide Show mode, press **PHOTO** key first to enter Photo Digest, then press **S-SLIDE** (Music Slide Show) key to initial Music Slide Show mode.
Remark: It could takes some time, depends on data volume.
- When music slide show is being played, press **PLAY/PAUSE** key to pause/resume music slide show.
- When music slide show is being played, press **STOP** key to stop slide show and return back to Photo Digest.
- To change photo interval time immediately when photo slide show is being displayed, press **S-TIME** key one or several times to set suitable interval time in real time.
- To change photo transition mode immediately when music slide show is being displayed, press **S-Mode** key one or several times to set suitable transition mode in real time.
- Press **REPEAT** key to enable/disable (ON/OFF) folder repeat.
- Press **MUTE** key to turn off/on music while music slide show is being played.

ICY BOX

IB-mp302 series

External Media Player for 3.5" HDDs

Music Playback

Press **MUSIC** key on Remote Control, all music files are shown in the Music Library.

- Press Direction keys to move through the music library page. Use **PREV** or **NEXT** key to jump to the previous or next page.
- Press **ENTER** key to play selected music. Press **ENTER** key again will return back to Music Library.
- Press **PLAY/PAUSE** key to play selected music. Press **PLAY/ PAUSE** key again to pause or resume playing; pressing **STOP** key can return back to Music Library.
- Press **REPEAT** key to immediately change repeat mode. **REPEAT ALL** will repeat all music in Music Library sequentially.
- **REPEAT ONE** will repeat the selected music
- **REPEAT OFF** will stop music when end of all music play
- Press **MUTE** key to mute the music play
- Press **VOL+ /VOL-** key to adjust volume of music play

Movie Playback

Press **MOVIE** key on Remote Control, all movie files will be shown in the Movie Digest

- Press Direction key to move through the Digest page. Use **PREV** or **NEXT** key to jump to the previous or next page of Digests.
- Press **ENTER** key to playback selected movie in full screen size. Press **ENTER** key again system will return back to Movie Digest.
- Press **PLAY/PAUSE** key to start movie show. When movie show is being played, press **PLAY/ PAUSE** key again to pause or resume playing; press **STOP** key system can return back to Movie Digest.
- Press **MUTE** key to mute the audio
- Press **VOL+ /VOL-** keys to adjust volume of audio

File Library

Press **FILE** key on Remote Control, all files will be shown in the File Library.

- Simply press Direction keys to move through directories in the file library.
- Pressing **ENTER** key to playback selected file.
- Pressing **STOP** key system will return back to File Library.

ICY BOX

IB-mp302 series

Externer Media Player für 3,5" Festplatten

Sicherheitshinweise

Bitte lesen Sie die folgenden Sicherheitshinweise vor dem Gebrauch des Produktes sorgfältig durch:

1. Verwenden Sie das Produkt nicht bei außergewöhnlich hoher oder niedriger Umgebungstemperatur oder extremer Luftfeuchtigkeit.
2. Nicht in der Sonne oder unter starker Wärmeeinstrahlung betreiben.
3. Nicht in Bereichen betreiben, die für elektronische Geräte nicht zugelassen sind (Flugzeug, Krankenhaus etc.).
4. Um Beschädigungen am Gerät zu vermeiden, das Gerät nicht starken Schlägen, Beschleunigungen oder Vibrationen aussetzen.
5. Den Kontakt mit starken Reinigungs- und Lösungsmitteln vermeiden.
6. Nicht bei extremer Luftfeuchtigkeit betreiben, um statische Aufladungen zu vermeiden.
7. Die Datenverbindung während des Datentransfers nicht unterbrechen, um einen Datenverlust zu vermeiden.
8. Schläge oder hohe Beschleunigungen können die Festplatte im Gerät dauerhaft beschädigen.
9. Die Haftung für Datenverluste durch Fehlbedienung oder die Verantwortung Dritter wird ausgeschlossen.
10. Führen Sie regelmäßig Backups der auf dem Media Player gespeicherten Daten durch. Der Hersteller übernimmt keine Verantwortung für eventuellen Datenverlust.
11. Bitte verwenden Sie das Gerät nicht, wenn Sie Fahrzeuge führen oder andere Tätigkeiten ausführen, die Ihre ganze Aufmerksamkeit erfordern. Bitte halten Sie sich bei der Lautstärke an die gesetzlichen Vorschriften und vermeiden Sie Lautstärken, die Gesundheitsschädlich sein könnten.
12. Für Datenträger und Datenformate die durch den Anwender erstellt wurden, übernimmt der Hersteller keine Abspielgarantie.

Verpackungsinhalt

Media Player, Netzteil mit Stromkabel, Video-/Audiokabel, USB Kabel, Schraubendreher, Software CD, Handbuch

Hauptmerkmale

- Wiedergabe von Video-, Musik- und Bilddateien
- Videodateiformate: VCD, SVCD, DVD (.vob), MPEG1/2/4, DIVX3.X-5.X
- Audiodatenformate: MP3
- Bilddatenformate: JPEG,BMP,GIF
- Dateiformate: AVI, ASF, VOB, DAT, MPG
- Unterstützt IDE/SATA* Festplatten bis 500GB
- Dateisystem: FAT32, NTFS
- Unterstützt: Musik/Foto Diashow
- Mehrsprachige Benutzerführung
- Audioausgang: Stereo 2 Ch (RCA)
- Videoausgang: Interlace RGB, S-Video, A/V, VGA
- TV System: NTSC/PAL
- USB 2.0 bis zu 480 Mbit/s
- Unterstützt Windows ME/XP/98, OS-9/X, Linux
- Infrarot Fernbedienung und Bedientasten am Gehäuse
- Lüfter und blaue LCD Anzeige
- One Touch Backup (nur Windows)

ICY BOX

Externer Media Player für 3,5" Festplatten

IB-mp302 series

Frontansicht

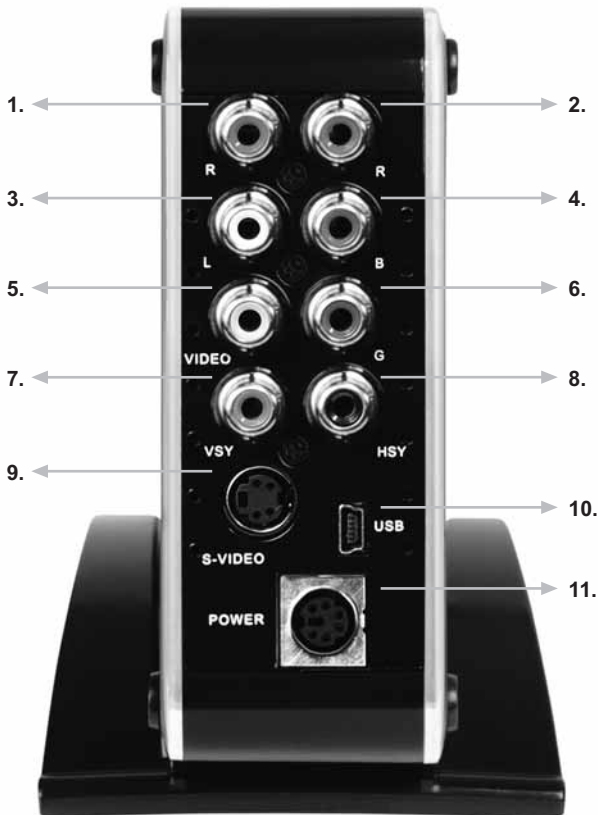


ICY BOX

Externer Media Player für 3,5" Festplatten

IB-mp302 series

Rückansicht



| | | | | | |
|----|------------------------------|----|------------------------------|-----|--------------------------------|
| 1. | R Rechter Audiokanal | 5. | VIDEO Videoausgang | 9. | S-VIDEO S-Video-Anschl. |
| 2. | R YPbPr-rotes Signal | 6. | G YPbPr-grünes Signal | 10. | USB USB 2.0 Anschl. |
| 3. | L Linker Audiokanal | 7. | VSY Vertikal Sync | 11. | POWER Stromanschluss |
| 4. | B YPbPr-blaues Signal | 8. | HSY Horizontal Sync | | |

ICY BOX

Externer Media Player für 3,5" Festplatten

IB-mp302 series

Fernbedienung



Die Fernbedienung unterstützt die unten genannten Funktionen:

- **POWER:** Bereitschaft ein bzw. aus
- **SETUP:** Aufrufen und Beenden des Einstellungsmenüs
- **MUTE:** Stummschaltung aktivieren/deaktivieren
- **VOL +:** Lauter
- **VOL -:** Leiser
- **PLAY:** Wiedergabe starten
- **PAUSE:** Wiedergabe pausieren / fortsetzen
- **STOP:** Wiedergabe stoppen
- **ENTER:** Auswahl bestätigen
- **V-Mode:** TV-System Auswahl
- **F.F:** Schneller Vorlauf, wiederholtes drücken beschleunigt
- **F.R:** Schneller Rücklauf, wiederholtes drücken beschleunigt
- **NEXT:** Nächster, gehe zum Nächsten
- **PREV:** Vorheriger, gehe zum Vorherigen
- **↑:** Auswahl hoch
- **↓:** Auswahl runter
- **←→:** Auswahl links oder rechts
- **SUB-T:** Auswahl der Untertitel nur bei SVCD, wenn vorhanden
- **REPEAT:** Auswahl der Wiederholen Funktionen
- **ZOOM:** Schaltet bei Bilddaten in den Vergrößerungsmodus, wiederholtes drücken steigert die Vergrößerung, mit den Richtungstasten kann der Bildausschnitt verschoben werden
- **Home:** Zurück in das Auswahlmeneü zu jedem Zeitpunkt
- **PHOTO, MUSIC, MOVIE, FILE:** Ordnerauswahl



ICY BOX

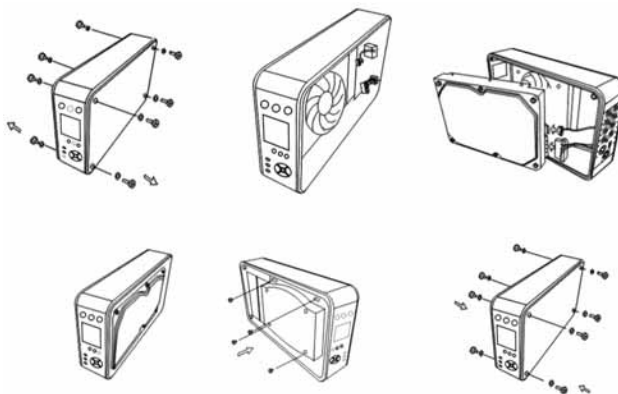
Externer Media Player für 3,5" Festplatten

IB-mp302 series

Installation der Festplatte

Achtung:

Media Player mit IDE-Schnittstelle Bei der Verwendung von IDE-Festplatten ist die Festplatte vor Einbau auf MASTER zu jumpern (vgl. die Anweisung des Festplattenherstellers)



Anschluss des Players an einen Computer

Den Stromadapter anschließen

1. WINDOWS98/SE Betriebssystem

- 1) Überprüfen Sie, ob Ihr PC über einen USB Anschluss verfügt.
- 2) Stellen Sie sicher, dass der USB Anschluss einwandfrei funktioniert.
- 3) Schließen Sie den Player per USB an den Computer an und schalten dann den Player über den Powerschalter am Gerät ein. Der Player wird automatisch erkannt und alle notwendigen Treiber installiert.
- 4) Für Windows98/SE legen Sie die mitgelieferte CD in das CD-ROM Laufwerk Ihres Computers ein.
- 5) Der Player wird als Portable Festplatte angezeigt.
- 6) Der Media Player kann jetzt wie eine normale externe Festplatte genutzt werden.
- 7) Wenn der Player nicht erkannt wird, den Computer neu starten.

2. WINDOWS ME/2000/XP, MAC OS

- 1) Überprüfen Sie, ob Ihr PC über einen USB Anschluss verfügt.
- 2) Stellen Sie sicher, dass der USB Anschluss einwandfrei funktioniert.
- 3) Schließen Sie den Player per USB an den Computer an und schalten dann den Player über den Powerschalter am Gerät ein. Der Player wird automatisch erkannt und alle notwendigen Treiber installiert.
- 4) Der Media Player kann jetzt wie eine normale externe Festplatte genutzt werden.

ICY BOX

IB-mp302 series

Externer Media Player für 3,5" Festplatten

3. Unformatierte Festplatten, bzw. Festplatten, die mit einem für den Player nicht lesbaren Dateisystem formatiert sind:

Die Festplatte in der Weise des jeweiligen Betriebssystems initialisieren, partitionieren und mit Dateisystem FAT32 oder NTFS formatieren. Der Player liest nur die erste Partition der Festplatte.

- ▼ **Achtung:** Um den Player per USB mit dem Computer zu verbinden bzw. vom Computer zu trennen, muss das Gerät über den Powerknopf in der Frontblende ausgeschaltet werden. Nachdem der Player per USB verbunden bzw. getrennt wurde, muss das Gerät wieder eingeschaltet werden.
- ▼ **Achtung:** Die Media Player Bedienoberfläche und ihre Funktionen stehen während der Verbindung mit dem Computer über USB nicht zur Verfügung

One Touch Backup (nur unter Windows)

Wählen Sie den die Einstellung entsprechend des Typs ihres Fernseher/Anzeigegerätes:

Um die One Touch Backup Funktion des Media Players nutzen zu können, muss die Backup Software von der beiliegenden CD auf dem System installiert werden. Nach dem Installieren und Starten des Programms, müssen die Ordner und Dateien zur Sicherung nach eigenem Wunsch ausgewählt werden (Quellverzeichnis und Zielverzeichnis). Jetzt steht die One Touch Backup Funktion durch betätigen der BACKUP-Schaltfläche auf der Programmoberfläche oder des Backup Schalters (BACKUP Schalter in der Front des Media Players), zur Verfügung (s. Seite 15, Frontansicht)

- ▼ **Achtung:** Die Media Player Bedienoberfläche und ihre Funktionen stehen während der Verbindung mit dem Computer über USB nicht zur Verfügung

Anschluss des Media Players an einen Fernseher

Nach dem Anschließen an ein Fernsehgerät stellen Sie den TV Modus über die Taste V-Mode der Fernbedienung oder den Schalter P/N in der Front des Players ein.

Es gibt vier verschiedene Möglichkeiten, den Player mit einem Fernseher/Bildschirm zu verbinden:

- 1) Den Videoausgang des Players über das AV-zu-AV Kabel mit dem Fernseher verbinden. Die Audioausgänge des Players über das AV-zu-AV Kabel mit dem Fernseher verbinden.
- 2) Den S-Videoausgang des Players über das S-Videokabel mit dem Fernseher verbinden. Die Audioausgänge des Players über das AV-zu-AV Kabel mit dem Fernseher verbinden.
- 3) Die YPbPr-Ausgänge des Players über das beiliegende Kabel entsprechend der Farbkennung mit dem Fernseher verbinden. Die Audioausgänge des Players über das AV-zu-AV Kabel mit dem Fernseher verbinden.

Anschluss des Media Players an einen Monitor

- 4) Die YPbPr-Ausgänge des Players über das beiliegende VGA-Kabel mit dem Monitor verbinden

ICY BOX

IB-mp302 series

Externer Media Player für 3,5" Festplatten

Grundeinstellungen

Nach dem Einschalten des Media Players warten Sie bis das Hauptmenü erscheint.

Durch Drücken der **SETUP-Taste** auf der Fernbedienung wird das Menü mit den Grundeinstellungen auf dem Fernsehbildschirm/Monitor dargestellt.

Mit den Auswahlstasten **HOCH** und **RUNTER** kann zwischen den entsprechenden Menüs gewechselt werden. Durch drücken der **ENTER-Taste** wird das entsprechende Menü ausgewählt. Den Media Player nach Bedarf anpassen.

Fotoeinstellungen

Unter dem Menü **PHOTO SETUP** können folgende Einstellungen vorgenommen werden:

Mit den Auswahlstasten **HOCH/RUNTER** bzw. **RECHTS/LINKS** kann zwischen den entsprechenden Menüs gewechselt werden. Durch drücken der **ENTER-Taste** wird das entsprechende Menü ausgewählt.

- **THUMBNAIL DIGEST:**

- Auswahl **EIN:** Zeigt eine Übersicht aller gespeicherten Fotos in Vorschauqualität. Diese Funktion ermöglicht eine schnelle Darstellung der Ordnerinhalte (Voreinstellung).
- Auswahl **AUS:** Zeigt eine Übersicht aller gespeicherten Fotos in Originalauflösung, wodurch die Darstellung stark verlangsamt wird.

- **TRANSITION MODE:**

- Auswahl der Übergangszeit zwischen der Darstellung zweier Fotos oder in der Diashow durch Auswahl von **FAST** oder **SLOW** (Voreinstellung ist FAST).

- **ORIENTATION:**

- Auswahl von **GRUNDEINSTELLUNG** oder **IGNORE** (Voreinstellung ist GRUNDEINSTELLUNG).

- **DIGEST STYLE:**

- Auswahl der Anzahl der in der Fotoübersicht dargestellten Bilder: 2x2, 3x3, 4x4 oder 5x5 (Voreinstellung ist 3x3).

Musikeinstellungen

Unter dem Menü **MUSIC SETUP** können folgende Einstellungen vorgenommen werden:

- **REPEAT MODE:**

- Auswahl **ONE:** Wiederholt fortlaufend die ausgewählten Titel, bis die STOP Taste gedrückt wird.
- Auswahl **AUS:** Deaktiviert die Wiederholfunktion
- Auswahl **ALL:** Wiederholt fortlaufend alle gespeicherten Titel, bis die STOP Taste gedrückt wird. (Voreinstellung).

ICY BOX

IB-mp302 series

Externer Media Player für 3,5" Festplatten

Filmeinstellungen

Unter dem Menü **MOVIE SETUP** können folgende Einstellungen vorgenommen werden:

- **REPEAT MODE:**
 - Auswahl **ONE:** Wiederholt fortlaufend die ausgewählten Filme/Videos, bis die **STOP** Taste gedrückt wird.
 - Auswahl **AUS:** Deaktiviert die Wiederholfunktion
 - Auswahl **ALL:** Wiederholt fortlaufend alle gespeicherten Titel, bis die **STOP** Taste gedrückt wird. (Voreinstellung).
- **DIGEST STYLE:**
 - Auswahl der Anzahl der in der Filmübersicht dargestellten Filme: 2x2, 3x3, 4x4 oder 5x5 (Voreinstellung ist 3x3)

Foto Diashow Einstellungen

Unter dem Menü **SLIDE SHOW** können folgende Einstellungen vorgenommen werden:

- **SLIDE SHOW MODE:**
 - Auswahl **MANUAL:** Bei dieser Einstellung wird das erste Bild der Diashow durch drücken der **PLAY** Taste angezeigt. Durch Drücken der Tasten **NEXT** oder **PREV** auf der Fernbedienung wird manuell auf das nächste/vorherige Bild gewechselt werden. Durch erneutes drücken auf die **PLAY** Taste startet die automatische Überblendung.
 - Auswahl **AUTO:** Bei dieser Einstellung startet die Diashow nach drücken der **PLAY** Taste automatisch (Voreinstellung)
- **AKTE Wiederholen (FOLDER REPEAT):**
 - Auswahl **EIN:** will Wiederholt fortlaufend alle gespeicherten Bilder, bis die **STOP** Taste gedrückt wird (Voreinstellung).
- **INTERVAL TIME:**
 - Auswahl 1, 3, 5, 10 **SECOND/S:** Zeigt das aktuelle Bild für die ausgewählte Zeit an, bevor es zum nächsten Bild übergeht (Voreinstellung 3 SECONDS).
- **TRANSITION:**
 - Auswahl der verschiedenen Optionen ermöglicht verschiedene Bildübergänge:
 - 1: FULL SCREEN:** sofort Bildschirmfüllend
 - 2: TOP → BOTTOM:** oben nach unten
 - 3: BOTTOM → TOP:** unten nach oben
 - 4: T/B → CENTER:** oben/unten zur Mitte
 - 5: CENTER → T/B:** Mitten ach oben/unten
 - 6: BLIND: T → B:** oben nach unten (Jalousie)
 - 7: LEFT → RIGHT:** links nach rechts
 - 8: RIGHT → LEFT:** rechts nach links
 - 9: L/R → CENTER:** links/rechts zur Mitte
 - 10: CENTER → L/R:** Mitten ach links/rechts
 - 11: IMplode:** von den Ecken zur Mitte
 - 12: BLIND: L → R:** links nach rechts (Jalousie)
 - 13: CROSS FADE:** überblenden
 - 14: RANDOM:** zufällige Wiedergabe der 13 verschiedenen Übergänge

ICY BOX

IB-mp302 series

Externer Media Player für 3,5" Festplatten

Konfiguration

Unter dem Menü **PRÄFERENZEN** können folgende Einstellungen vorgenommen werden:

- **TV TYP:**
 - Auswahl **MULTI. SYSTEM:** Wählt selbstständig den angeschlossenen Bildschirmtyp aus NTSC oder PAL (Voreinstellung).
 - Auswahl **NTSC:** stellt den Videoausgang fest auf NTSC ein.
 - Auswahl **PAL:** stellt den Videoausgang fest auf PAL ein.
- **TV ANZEIGE:**
 - Auswahl: **NORMAL/PS**
 - Auswahl: **NORMAL/LB**
 - Auswahl: **BREIT**
- **VIDEO OUTPUT:**
 - Auswahl **S-VIDEO:** Gibt das Videosignal über den S-Videoausgang aus.
 - Auswahl **COMPOSITE:** Gibt das Videosignal über den Composite (RCA) Ausgang aus (Voreinstellung)
 - Auswahl **VGA:** Gibt das Videosignal über den VGA Ausgang aus.
 - Auswahl **INTERLACE RGB:** Gibt das Videosignal über den YPbPr-Ausgang aus.
- **OSD SPRACH:**
 - Auswahl **ENGLISH:** OSD in englischer Sprache (Voreinstellung)
 - Auswahl **Deutsch:** OSD in deutscher Sprache
- **OSD MESSAGE:**
 - Auswahl: **ON**
 - Auswahl: **OFF**
- **SETUP VALUES:**
 - ▼ **Achtung:** Bei der Auswahl von **GRUNDEINST** werden alle Einstellungen auf die Ausgangskonfiguration zurückgesetzt.
- **AUTO START:**
 - Auswahl **EIN:** Nach Einschalten des Media Players wird die Musikwiedergabe automatisch initialisiert.
Anmerkung: Je nach Datenumfang, kann dieser Vorgang eine gewisse Zeit in Anspruch nehmen.
 - Auswahl **AUS:** Automatische Musikwiedergabe wird deaktiviert.

Nach Abschluss der Einstellungen können Sie Ihre Filme, Musik und Foto Diashows vom Media Player starten.

ICY BOX

IB-mp301 Serie

Externer Media Player für 3,5" Festplatten

Foto Diashow

Nach Drücken der **PHOTO** Taste auf der Fernbedienung, werden abgelegte Bilddateien in einer Übersicht als Miniaturbild dargestellt.

- Zur Auswahl eines Bildes verwenden Sie die Richtungstasten. Zur Auswahl der nächsten/vorhergehenden Seite verwenden Sie die Tasten **NEXT** oder **PREV** der Fernbedienung.
- Zum Starten der Foto Diashow drücken Sie die **PLAY/PAUSE** Taste. Das erneute betätigen der **PLAY/PAUSE** Taste während der Wiedergabe hält die Wiedergabe an bzw. startet sie wieder.
- Durch Drücken der **STOP** Taste gelangt man zur Übersicht zurück.
- Zum Wechseln der Anzeigedauer eines Bildes, die **S-TIME** Taste während der Wiedergabe ein- oder mehrmals drücken.
- Zum Wechseln der Bildausrichtung um jeweils 90° die **ROTATE** Taste während der Wiedergabe ein- oder mehrmals drücken.
- Zum aktivieren/deaktivieren der Wiederholfunktion die **REPEAT** Taste während der Wiedergabe drücken.

Musik Diashow

- Zum Starten der mit Musik unterlegten Diashow erst die **PHOTO** Taste drücken, um zur Bildübersicht zu gelangen, dann die **S-SLIDE** Taste betätigen, um die Musik Diashow zu initialisieren.
Anmerkung: Je nach Datenumfang, kann dieser Vorgang eine gewisse Zeit in Anspruch nehmen.
- Einmaliges betätigen der **PLAY/PAUSE** Taste während der Wiedergabe hält die Bildwiedergabe, zweimaliges betätigen auch die Musikwiedergabe an. Zum Wiederaufnehmen der Musik Diashow **PLAY/PAUSE** Taste erneut drücken.
- Durch Drücken der **STOP** Taste gelangt man zur Übersicht zurück.
- Zum Wechseln der Anzeigedauer eines Bildes, die **S-TIME** Taste während der Wiedergabe ein- oder mehrmals drücken.
- Zum Wechseln der Bildübergänge, die **S-MODE** Taste während der Wiedergabe ein- oder mehrmals drücken.
- Zum Aktivieren/Deaktivieren der Wiederholfunktion die **REPEAT** Taste während der Wiedergabe drücken.
- Zum Aktivieren/Deaktivieren der Musikwiedergabe die **MUTE** Taste während der Wiedergabe drücken.

ICY BOX

Externer Media Player für 3,5" Festplatten

IB-mp302 series

Musik Wiedergabe

Nach Drücken der **MUSIC** Taste auf der Fernbedienung, werden abgelegte MP3-Dateien in einem Übersichtsordner dargestellt.

- Zur Auswahl eines Titels verwenden Sie die Richtungstasten. Zur Auswahl der nächsten/vorhergehenden Seite verwenden Sie die Tasten **NEXT** oder **PREV** der Fernbedienung.
- **ENTER** Taste betätigen, um den gewählten Titel im Abspielfenster wiederzugeben. Erneutes Drücken kehrt in die Übersicht zurück.
- Zum Starten des gewählten Musiktitels drücken Sie die **PLAY/PAUSE** Taste. Das erneute betätigen der **PLAY/PAUSE** Taste während der Wiedergabe hält die Wiedergabe an bzw. startet sie wieder.
- Durch Drücken der **STOP** Taste gelangt man zur Übersicht zurück.
- Zum aktivieren/deaktivieren der Wiederholfunktion die **REPEAT** Taste während der Wiedergabe drücken.
- **REPEAT ALL:** Wiederholt alle Titel des Ordners nacheinander.
- **REPEAT ONE:** Wiederholt den ausgewählten Titel.
- **REPEAT OFF:** Stoppt die Wiedergabe nach dem Abspielen der Titel.
- Zum aktivieren/deaktivieren der Musikwiedergabe die **MUTE** Taste während der Wiedergabe drücken.
- Durch Drücken der **VOL+ /VOL-** Tasten lässt sich die Lautstärke regulieren.

Film Wiedergabe

Nach Drücken der **MOVIE** Taste auf der Fernbedienung werden abgelegte Filmdateien in einer Übersicht als Miniaturbild dargestellt.

- Zur Auswahl eines Filmes verwenden Sie die Richtungstasten. Zur Auswahl der nächsten/vorhergehenden Seite verwenden Sie die Tasten **NEXT** oder **PREV** der Fernbedienung.
- Zum Starten des Filmes in Bildschirmgröße, drücken Sie die **PLAY/PAUSE** Taste. Das erneute Betätigen der **PLAY/PAUSE** Taste während der Wiedergabe hält die Wiedergabe an bzw. startet sie wieder.
- Das Betätigen der **PLAY/PAUSE** Taste während der Wiedergabe hält die Filmwiedergabe an. Zum Wiederaufnehmen die **PLAY/PAUSE** Taste erneut drücken.
- Durch drücken der **STOP** Taste gelangt man zur Filmübersicht zurück.
- Zum aktivieren/deaktivieren der Tonwiedergabe die **MUTE** Taste drücken.
- Durch drücken der **VOL+ /VOL-** Tasten lässt sich die Lautstärke regulieren.

Ordnerverzeichnis

Nach dem drücken der **FILE** Taste auf der Fernbedienung werden alle Ordner und Dateien in einer Übersicht dargestellt.

- Zur Auswahl eines Ordners/Datei verwenden Sie die Richtungstasten. Zur Auswahl der nächsten/vorhergehenden Seite verwenden Sie die Tasten **NEXT** oder **PREV** der Fernbedienung.
- Zum Wechseln in einen Unterordner auf dem entsprechenden Ordner die **ENTER** Taste drücken.
- Zum Wiedergeben einer gewählten Datei die **ENTER** Taste drücken.
- Um zur Dateiübersicht zurückzukehren die **STOP** Taste drücken.

ICY BOX

© All rights reserved by RaidSonic Technology GmbH, Ahrensburg/Germany
<http://www.raidsonic.de>